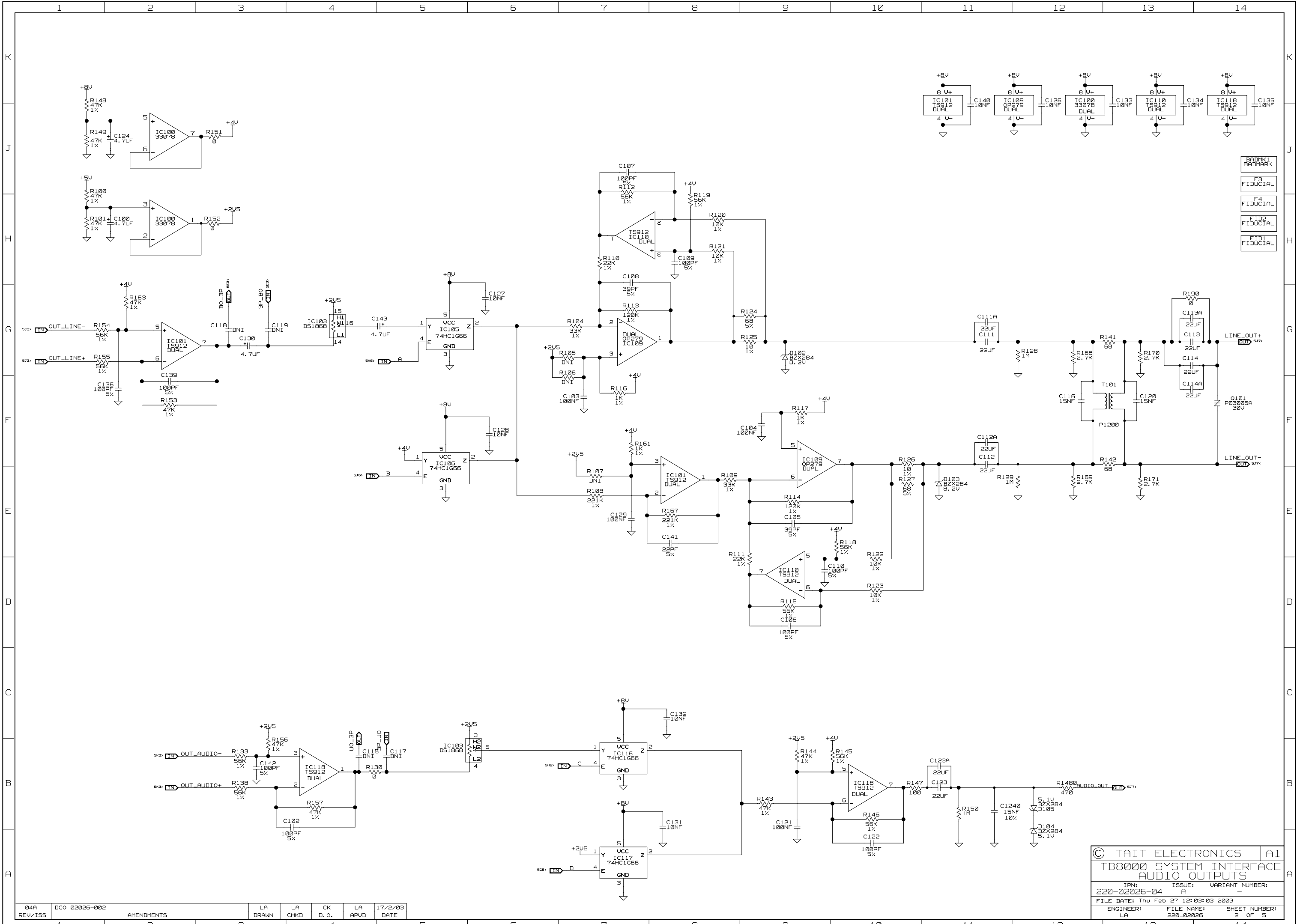


© TAIT ELECTRONICS		A1
TB8000 SYSTEM INTERFACE CONNECTORS & MISC.		
IPN:	ISSUE:	VARIANT NUMBER:
220-02026-04	A	-
FILE DATE: Thu Feb 27 12:02:15 2003		
ENGINEER:	FILE NAME:	SHEET NUMBER:
LA	220_02026	1 OF 5

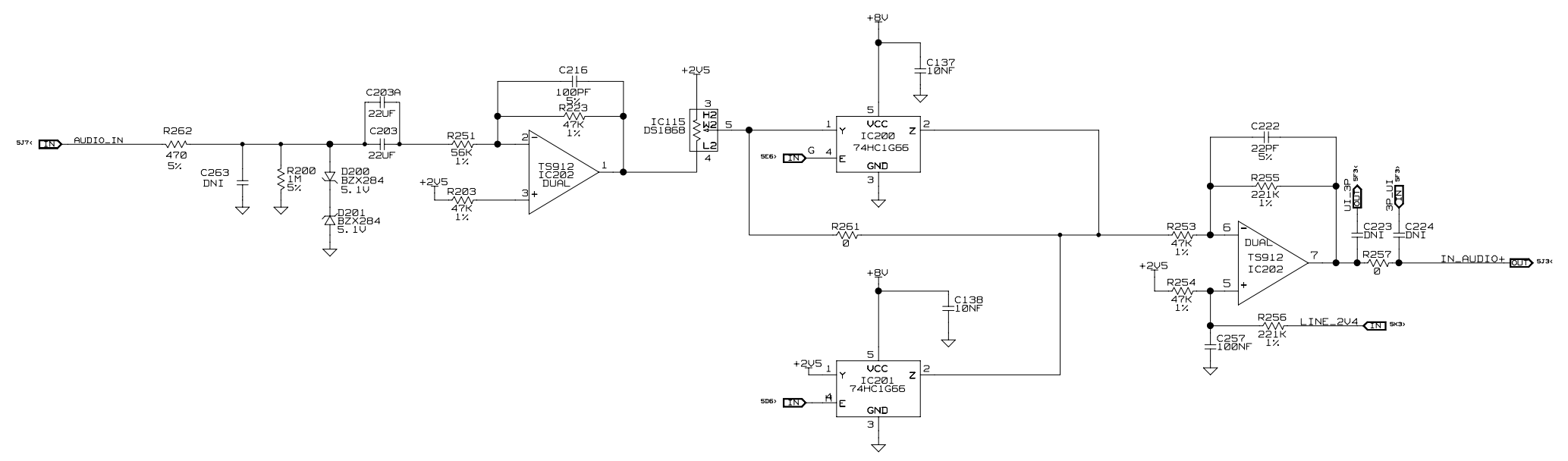
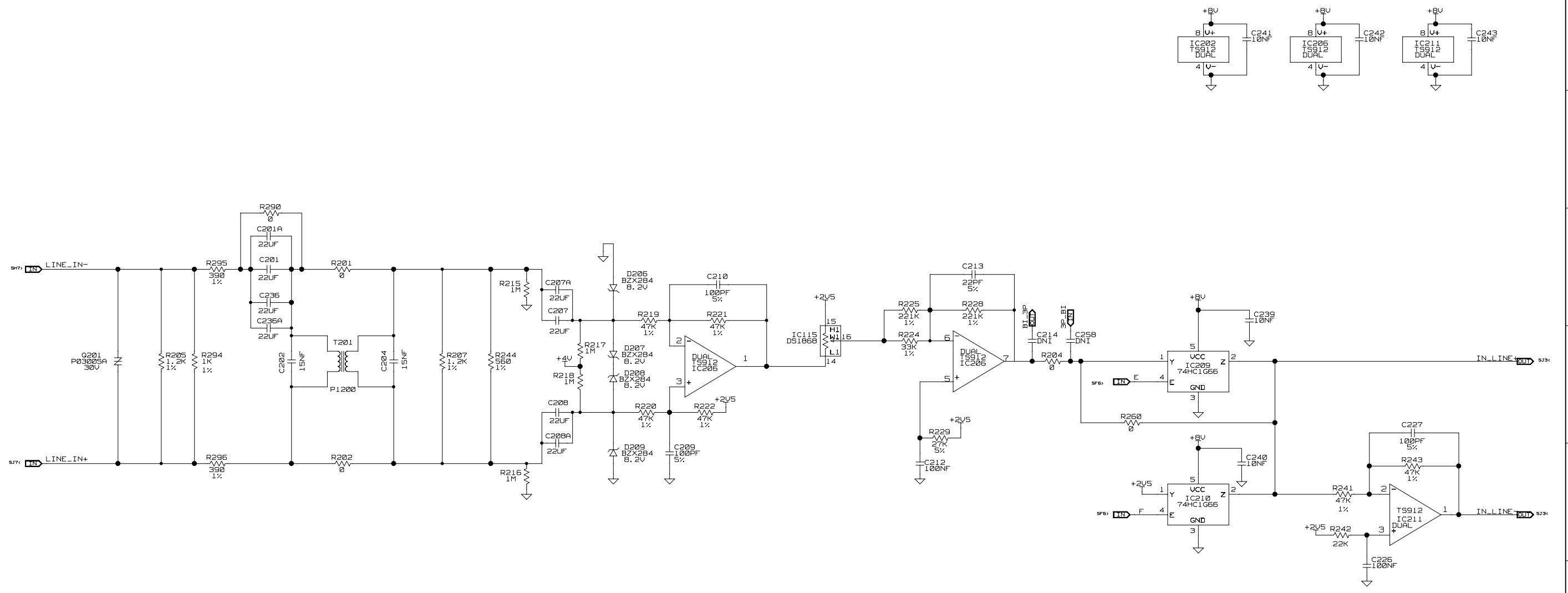
04A	DCO 02026-002	LA	LA	CK	LA	17/2/03
REV/ISS	AMENDMENTS	DRAWN	CHKD	D. O.	APVD	DATE
1		3		4		



- BADMK1
- BADMARK
- F3 FIDUCIAL
- F4 FIDUCIAL
- FID2 FIDUCIAL
- FID1 FIDUCIAL

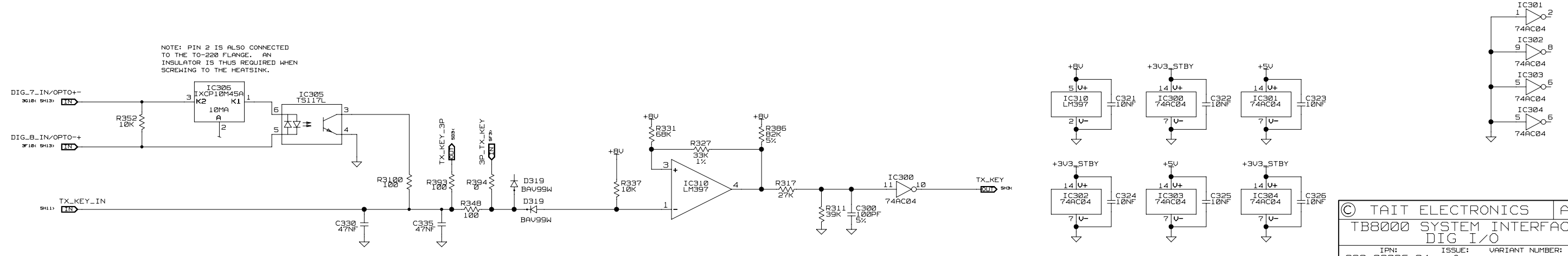
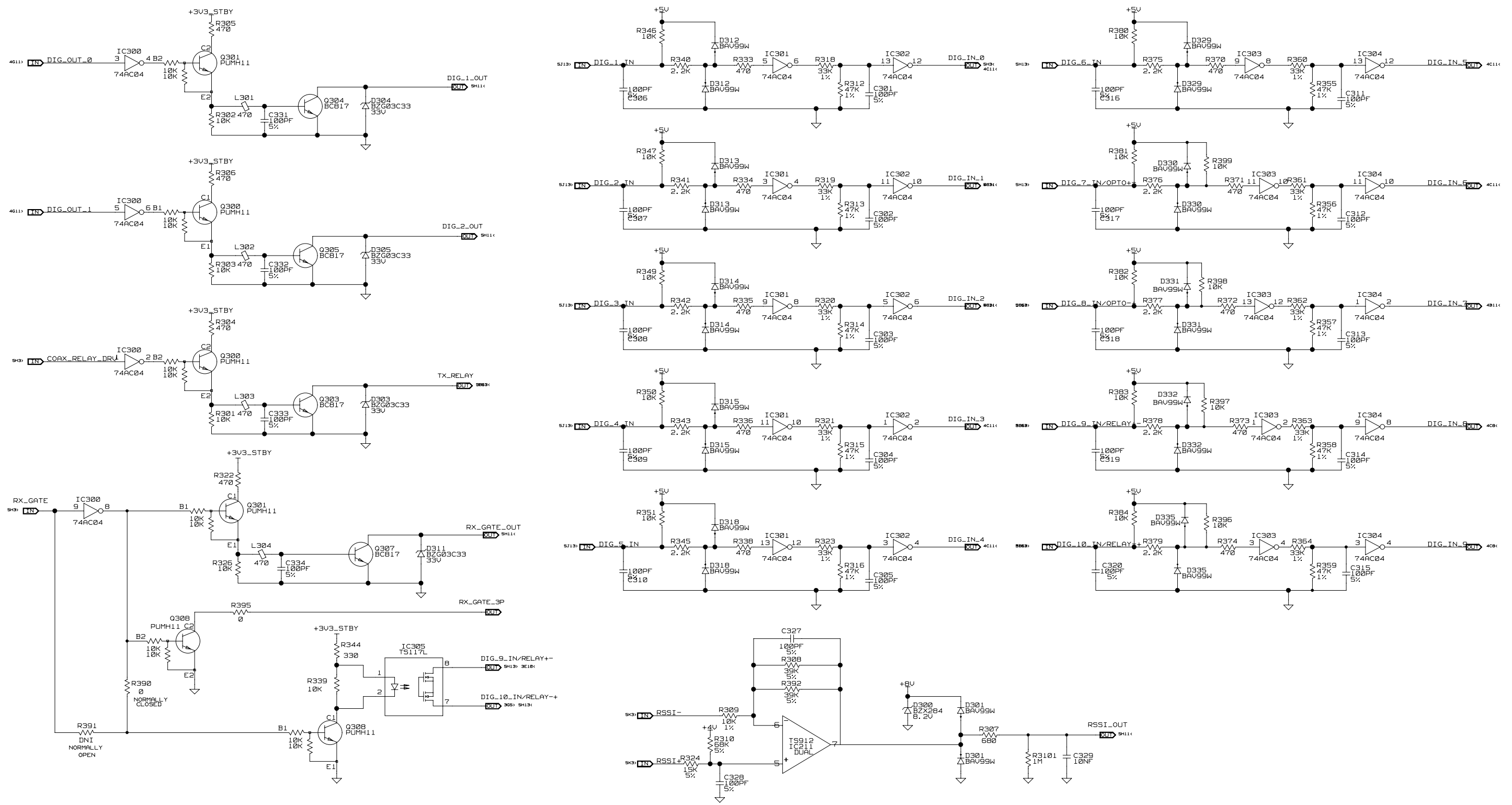
© TAIT ELECTRONICS		A1
TB8000 SYSTEM INTERFACE AUDIO OUTPUTS		
IPN: 220-02026-04	ISSUE: A	VARIANT NUMBER: -
FILE DATE: Thu Feb 27 12:03:03 2003		
ENGINEER: LA	FILE NAME: 220_02026	SHEET NUMBER: 2 OF 5

04A	DCO 02026-002	LA	LA	CK	LA	17/2/03
REV/ISS	AMENDMENTS	DRAWN	CHKD	D.O.	APVD	DATE



© TAIT ELECTRONICS | A1  
 TB8000 SYSTEM INTERFACE  
 AUDIO INPUTS  
 IPN: 220-02026-04 | ISSUE: A | VARIANT NUMBER: -  
 FILE DATE: Thu Feb 27 12:03:03 2003  
 ENGINEER: LA | FILE NAME: 220\_02026 | SHEET NUMBER: 3 OF 5

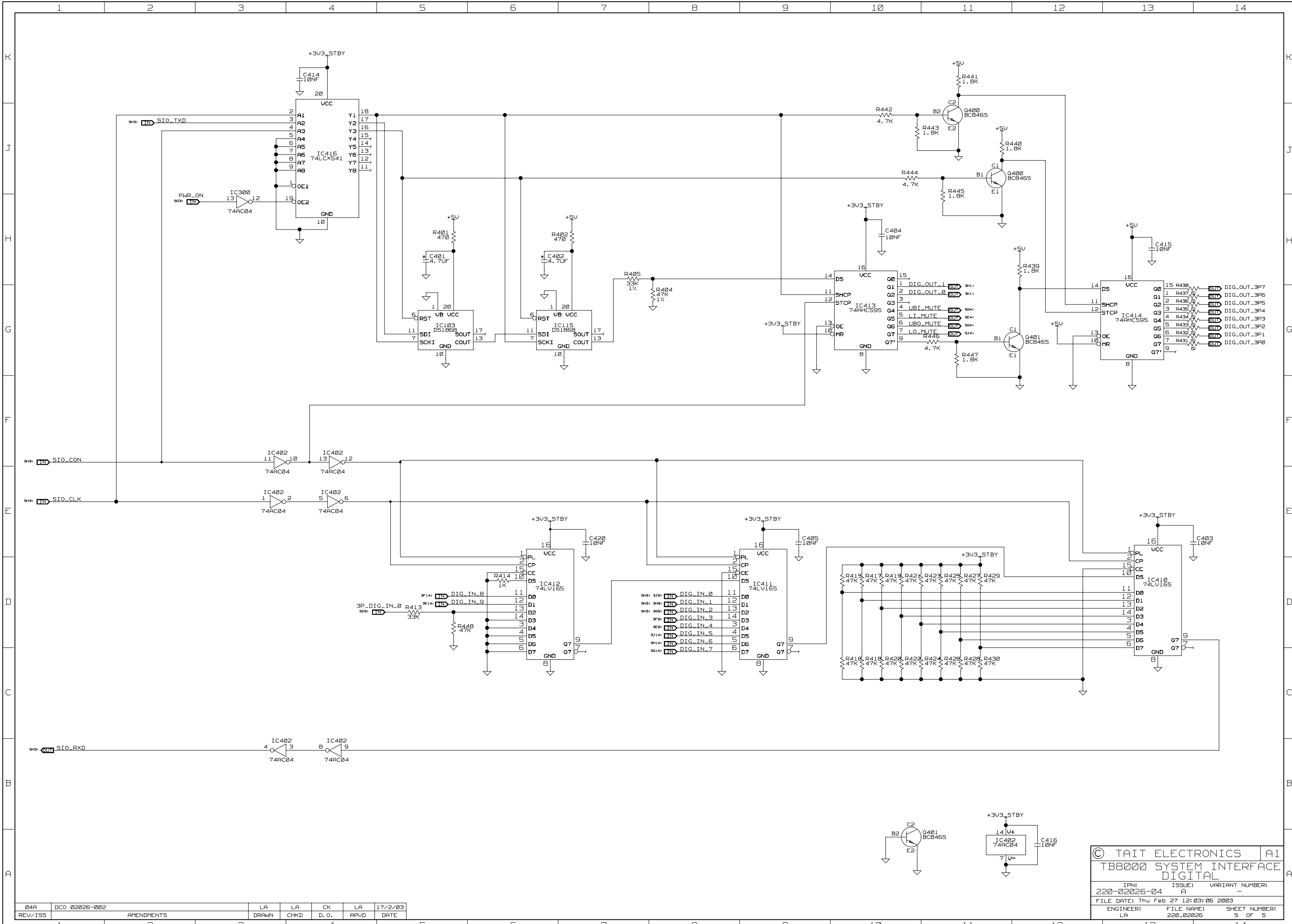
04A	DCO 02026-002	LA	LA	CK	LA	17/2/03
REV/ISS	AMENDMENTS	DRAWN	CHKD	D. O.	APVD	DATE



NOTE: PIN 2 IS ALSO CONNECTED TO THE T0-220 FLANGE. AN INSULATOR IS THUS REQUIRED WHEN SCREWING TO THE HEATSINK.

© TAIT ELECTRONICS		A1
TB8000 SYSTEM INTERFACE DIG I/O		
IPN: 220-02026-04	ISSUE: A	VARIANT NUMBER: -
FILE DATE: Thu Feb 27 12:03:05 2003		
ENGINEER: LA	FILE NAME: 220_02026	SHEET NUMBER: 4 OF 5

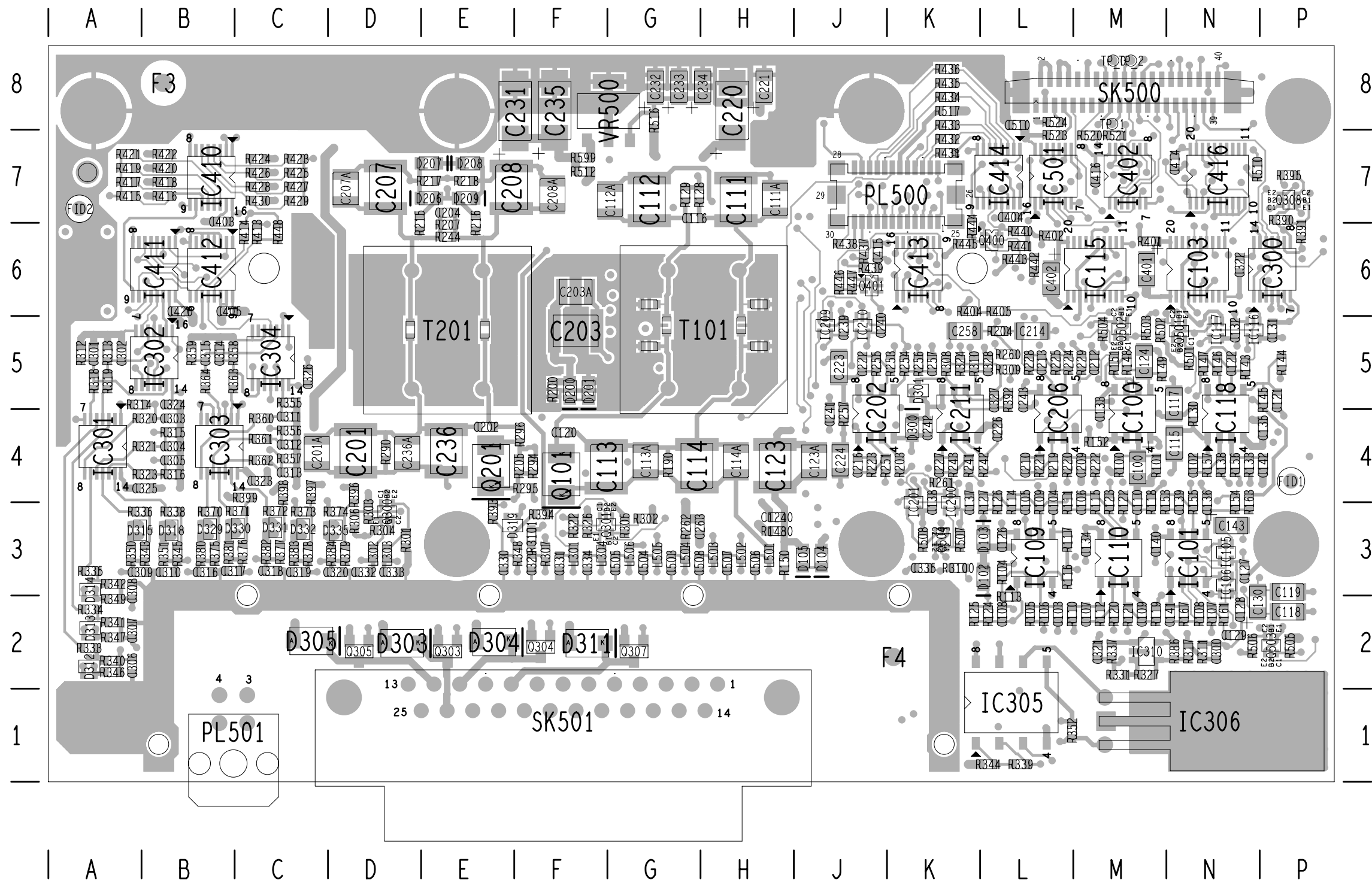
04A	DCO 02026-002	LA	LA	CK	LA	17/2/03
REV/ISS	AMENDMENTS	DRAWN	CHKD	D.O.	APVD	DATE



04A	DCO 02026-002	LA	LA	CK	LA	17/2/03
REV/ISS	AMENDMENTS	DRAWN	CHKD	D.O.	APVD	DATE

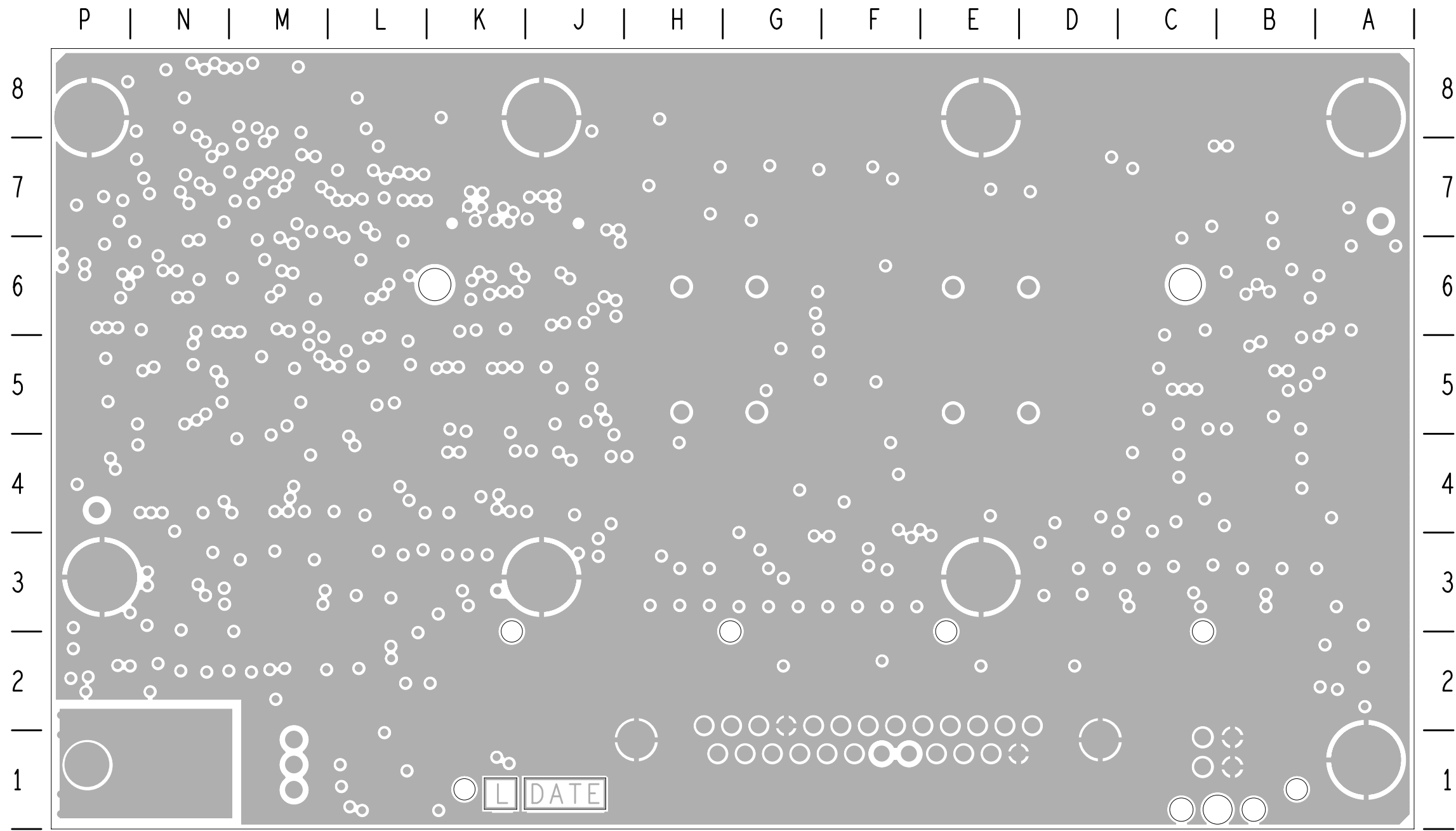
© TAIT ELECTRONICS | A1  
 TB8000 SYSTEM INTERFACE  
 DIGITAL

IPN: 220-02026-04 | ISSUE: A | VARIANT NUMBER: -  
 FILE DATE: Thu Feb 27 12:03:05 2003  
 ENGINEER: LA | FILE NAME: 220\_02026 | SHEET NUMBER: 5 OF 5




**TAIT** TAIT ELECTRONICS      IPN: 220-02026-04      AssyISS: A      DATE: 28Feb03  
 TB8000 SYSTEM INTERFACE 220-02026-04\_LAYOUT-PRIMARY-SIDE.ps

NOT TO SCALE



P | N | M | L | K | J | H | G | F | E | D | C | B | A |

 <b>TAIT ELECTRONICS</b>	IPN:	AssyISS:	DATE:
	220-02026-04	A	28Feb03
TB8000 SYSTEM INTERFACE 220-02026-04_LAYOUT-SECONDARY-SIDE.ps			

NOT TO SCALE